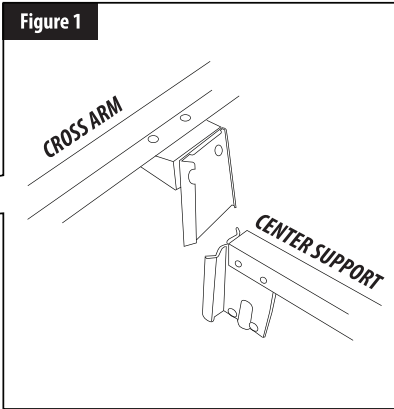
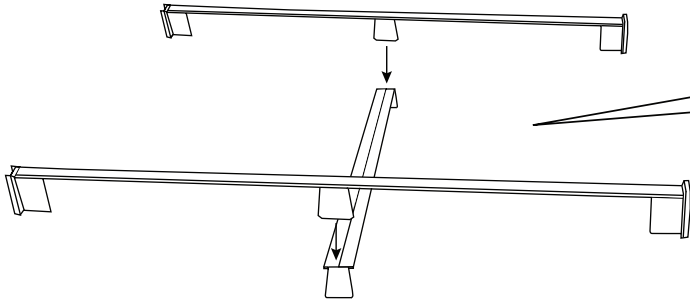


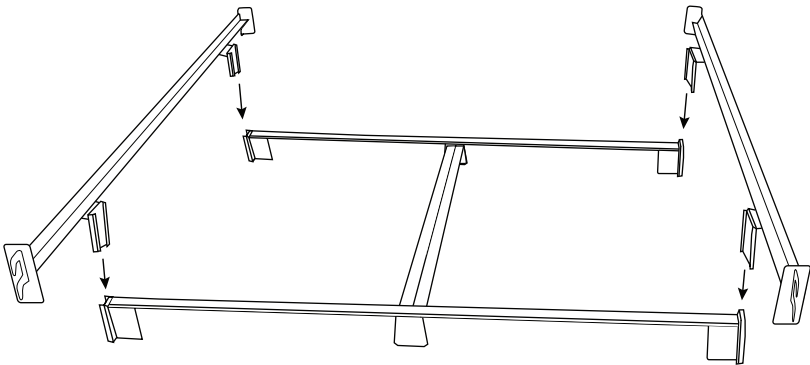
STEEL LOCK HOOK-IN HEADBOARD FOOTBOARD BED FRAME

ASSEMBLY INSTRUCTIONS

1 Slide crossarm wedges over the ends of the center support wedges.



2 Slide side rail wedges over crossarm wedges. Brackets should be at both ends of the frame.



3 Install and adjust legs as show in figure 2.

