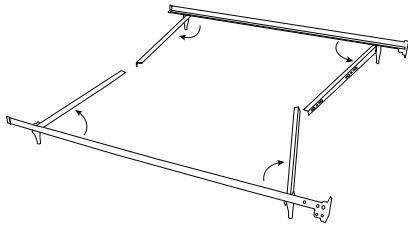


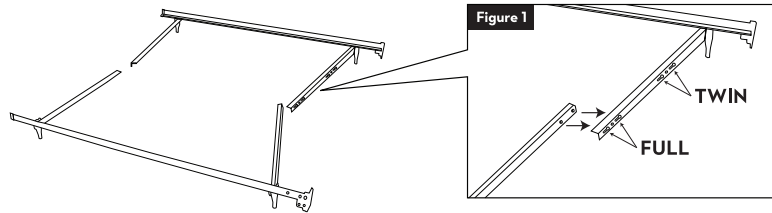
STRUCTURES™ ASSEMBLY INSTRUCTIONS

ST4633BF

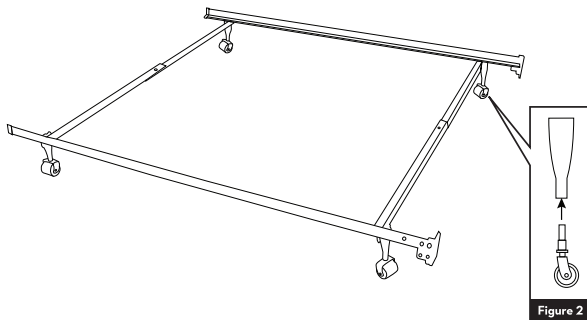
1 Swing out cross arms to 90 degrees.



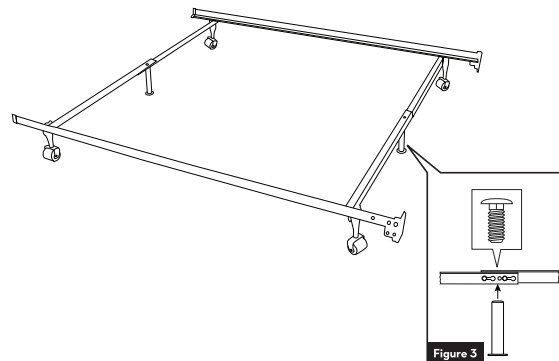
2 Place rivets of the cross arms into appropriate key holes as shown in Figure 1, then slide to lock into place.



3 Install wheels as shown in figure 2.



4 Place support legs under holes that align on center of cross arms. Screw in as shown in Figure 3.



Failure to follow these warnings and assembly instructions could result in serious injury or death. Read all instructions before assembling bed frame. Keep the assembly instructions for future use. Before each usage or assembly, inspect bed frame for damaged hardware, loose joints, missing parts or sharp edges. DO NOT use the bed frame if any parts are missing or broken. Contact the manufacturer for replacement parts and instructional literature if needed. DO NOT substitute parts. Check fasteners and rivets periodically for tightness and positioning.

WWW.MALOUPSLEEP.COM • CUSTOMERSERVICE@MALOUPSLEEP.COM • 800-517-7179