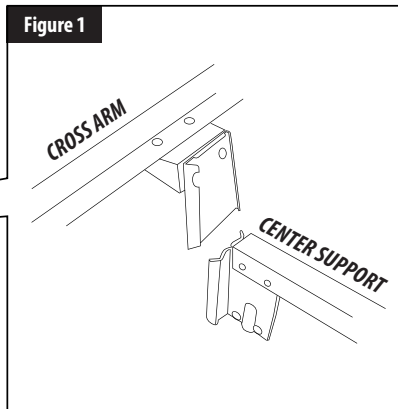
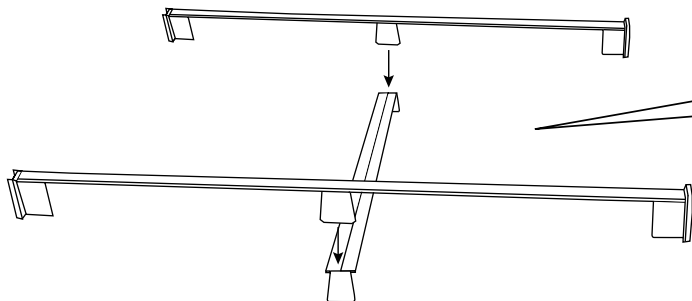
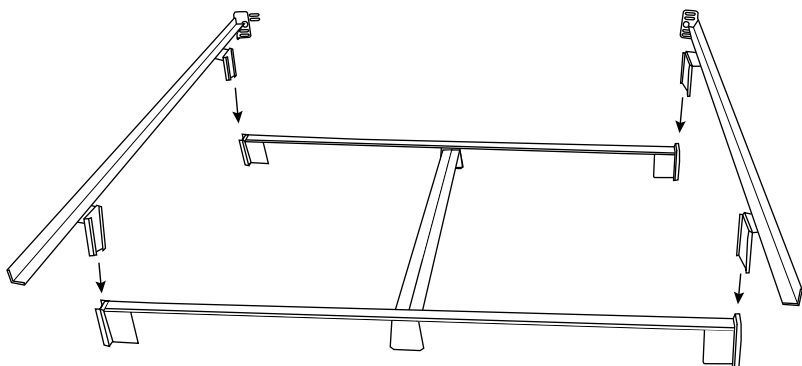


ASSEMBLY INSTRUCTIONS

1 Slide crossarm wedges over the ends of the center support wedges.



2 Slide side rail wedges over crossarm wedges. Headboard brackets should both be at the top of the frame.



3 Install wheels as show in figure 2.

